

RST ENGINEERING  
MAIL: 13249 Grass Valley Ave  
SHIP: 13993 Downwind Court  
Grass Valley CA 95945

Voice (916) 272-2203

E-mail: [sales@rst-engr.com](mailto:sales@rst-engr.com)

Web Page: <http://www.rst-engr.com>

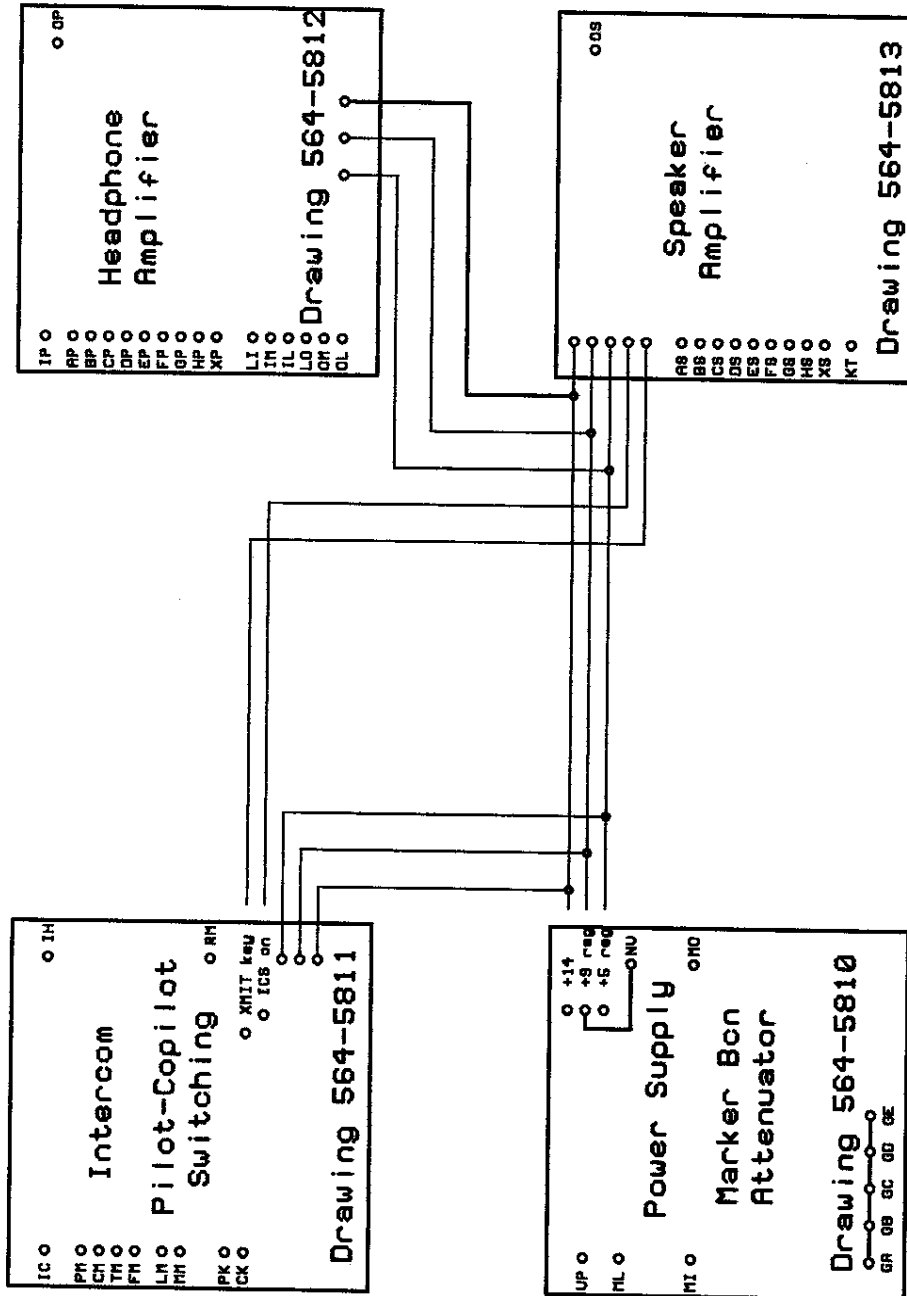
27 November 2001

RST-564  
DOCUMENT SUMMARY

- 564-2900 Main Chassis Schematic (manual page G8)
- 564-5801 Block Diagram (page G9)
- 564-5802 Volume/Squelch/Display Schematic (page G10)
- 564-5810 Power Supply, Marker Attenuator Schematic (page G11)
- 564-5811 Intercom, Pilot/Copilot Switching Schematic (page G12)
- 564-5812 Headphone Amplifier Schematic (page G13)
- 564-5813 Speaker Amplifier Schematic (page G14)
- 564-3900 Mechanical Installation (page G15)
- 564-3950 Aircraft Interconnect Diagram (page G16)

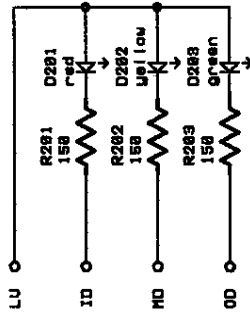
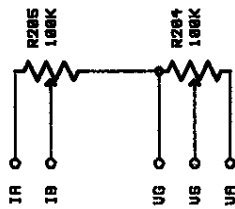


h. Main PCB Block Diagram (564-5801)



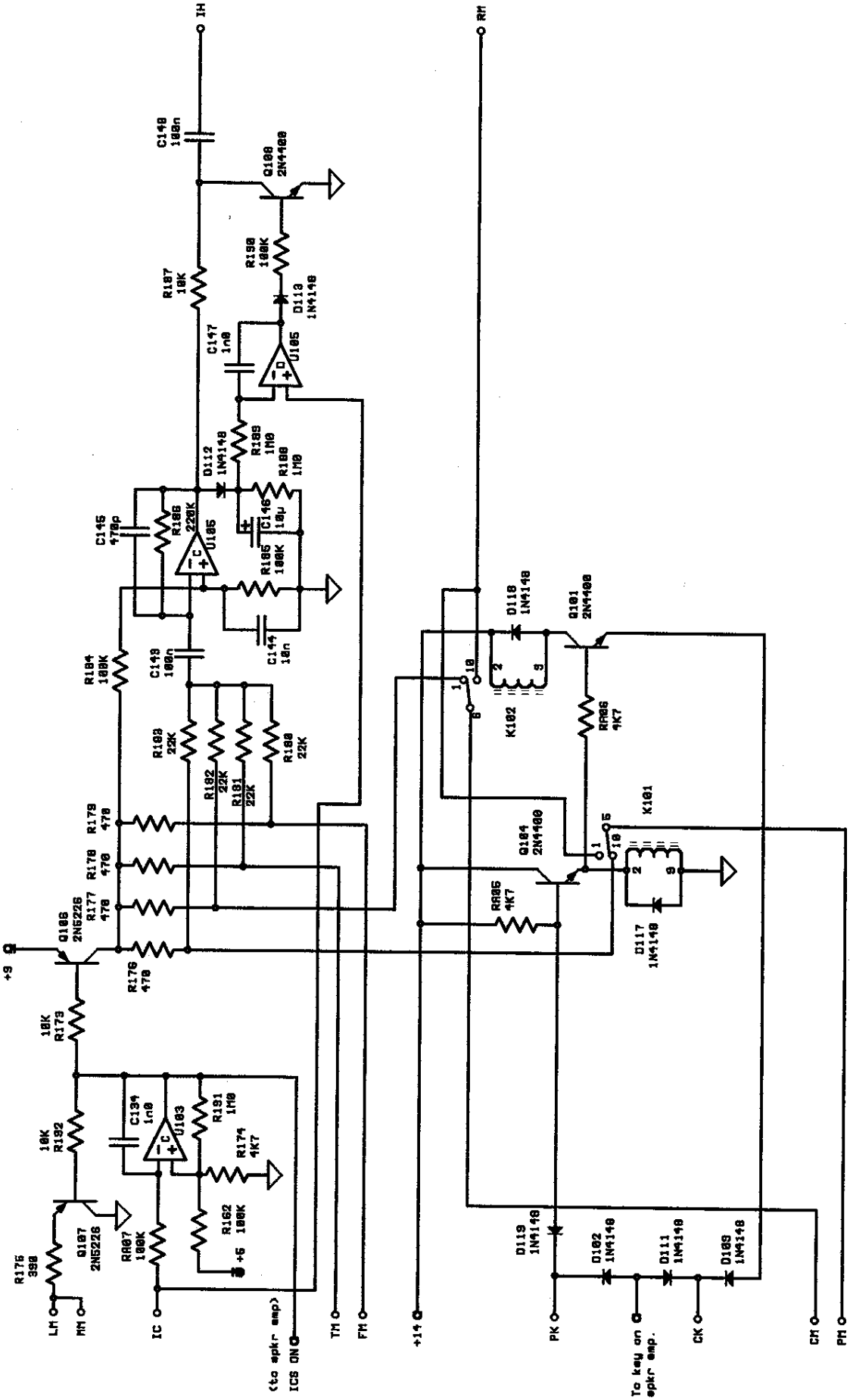
Scale: Schematic Date: 09 Dec 96		Approved By:	
		Drawn By: DMZ Revision: A	
PC Board 564-6801 Block Diagram and Sheet Interconnect		Drawing # 564-5801	
RST Engineering 13248 Grass Valley Ave. 916/272-2283 (voice & fax)		Grass Valley CA 95945 Net: rst-engineers.net	

i. Display PCB Schematic (564-5802)



PC Board 564-6802		Drawn By: OWJ	Drawing # 564-5802
Volume/Squelch Controls & LED Display		Revision: A	
Scale: Schematic	Approved By:	RST Engineering 13248 Grass Valley Ave. Grass Valley CA 95945 916/272-2283 (voice & fax) Net: rst-engineering.net	
Date: 10 Dec 96			

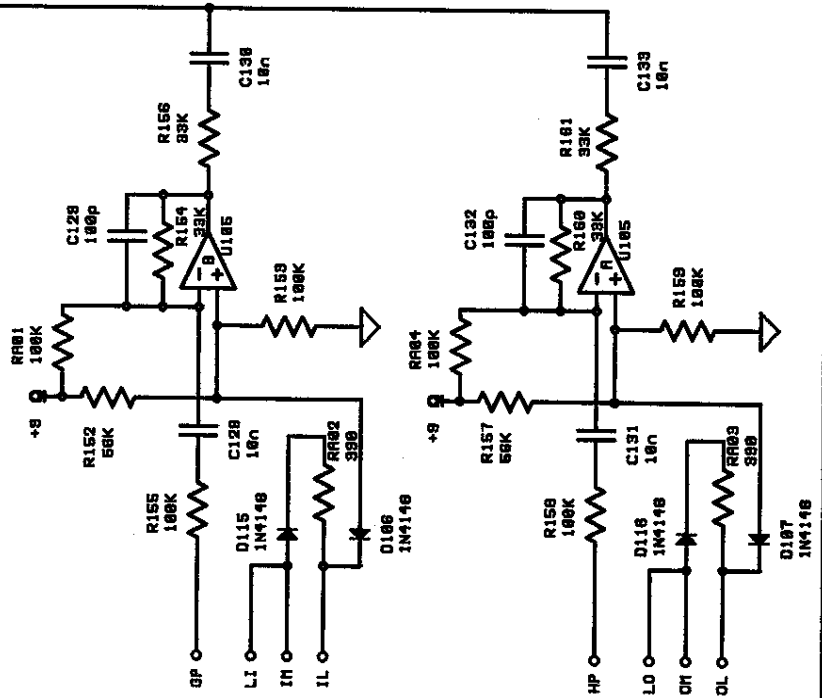
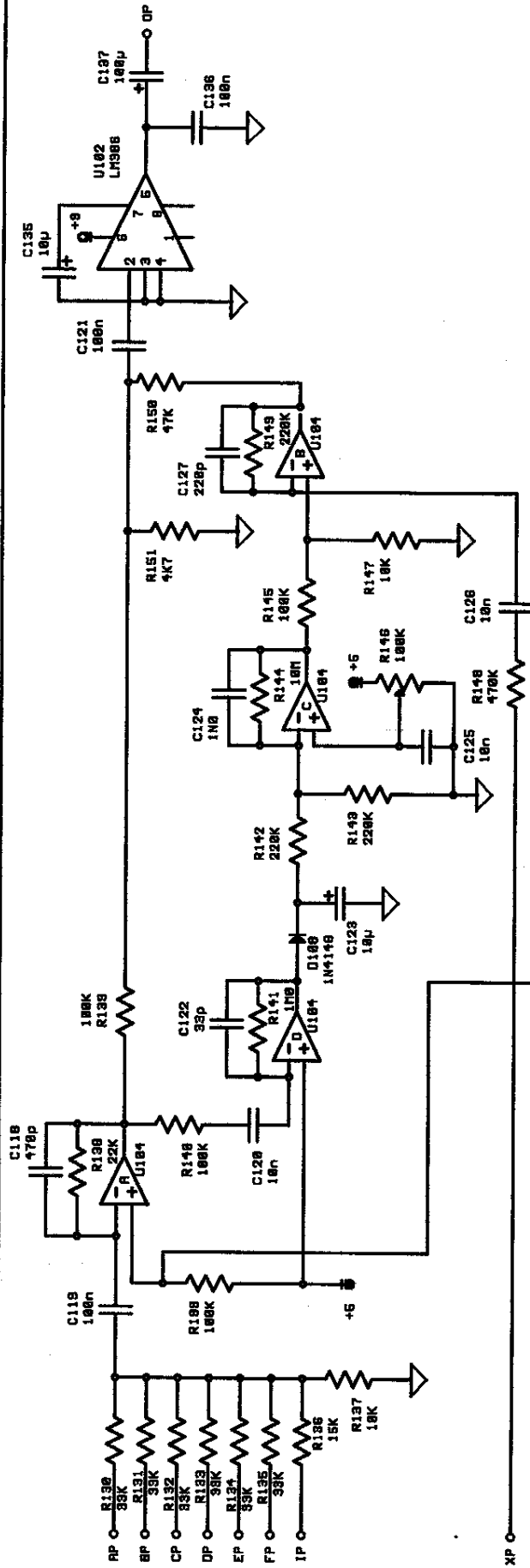




Scale: SCHEMATIC		Approved By:	
		Date: 88 Dec 98	
Scale: SCHEMATIC		Drawn By: DMT	
Date: 88 Dec 98		Revision: A	
RST Engineering 13248 Grass Valley Ave. 916/272-2283 (voice & fax)		Drawing # 564-5811	
3248 Grass Valley Ave. 916/272-2283 (voice & fax)		Drawing # 564-5811	

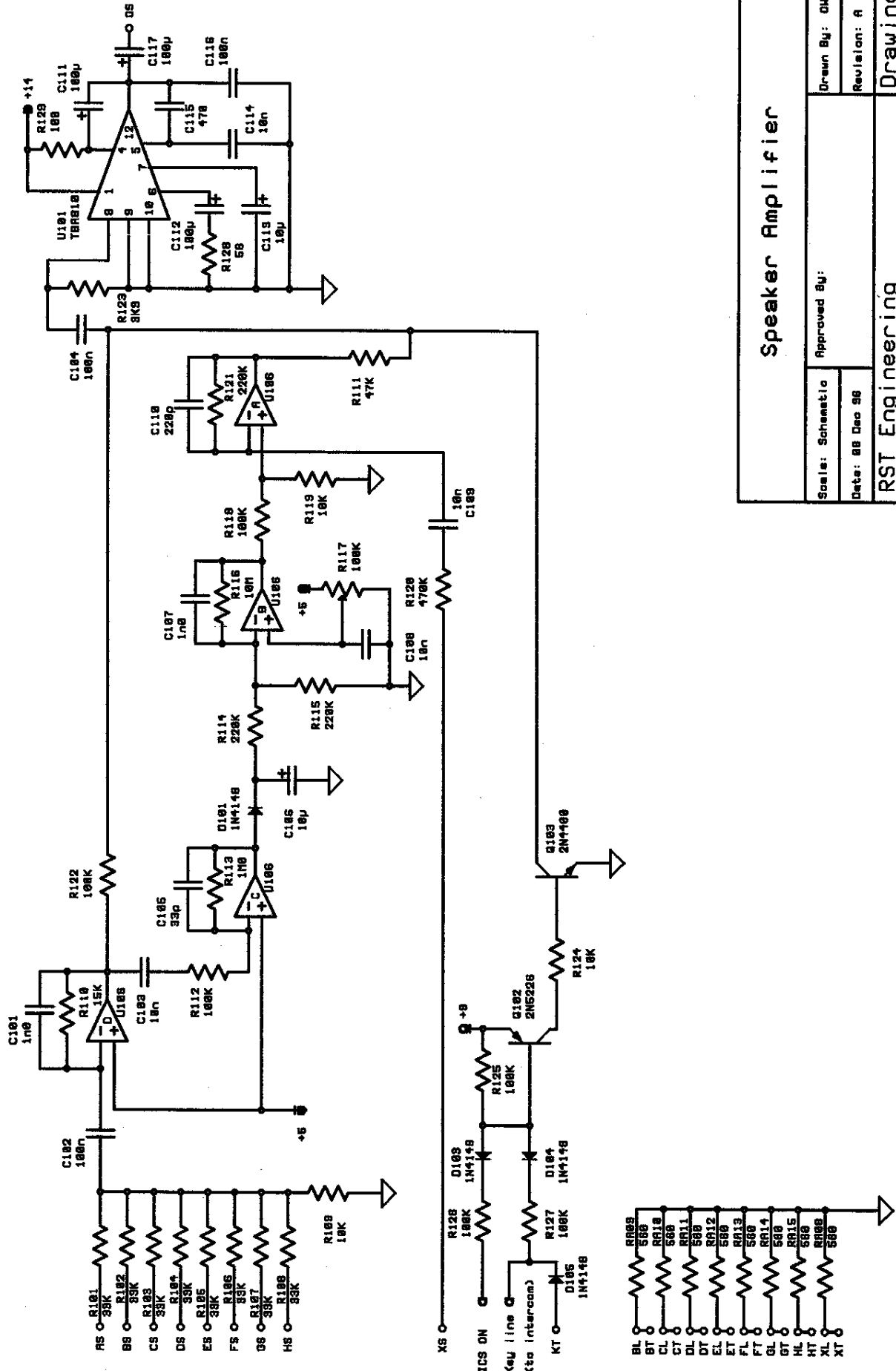
NOTES:  
1. K101 and K102 are shown in the "power on, transmitter not keyed" mode.

1. Main PCB Headphone Amplifier (564-5812)



Headphone Amplifier		Scale: Schematic	Approved By:	Drawn By: DJJ
		Date: 08 Dec 98	Revision: A	
RST Engineering		Drawing # 564-5812		
13249 Grass Valley Pk.		Grass Valley CA 95945		
818/272-2208 (voice & fax)		Net: rst-engr@rcn.net		

m. Main PCB Speaker Amplifier (564-5813)

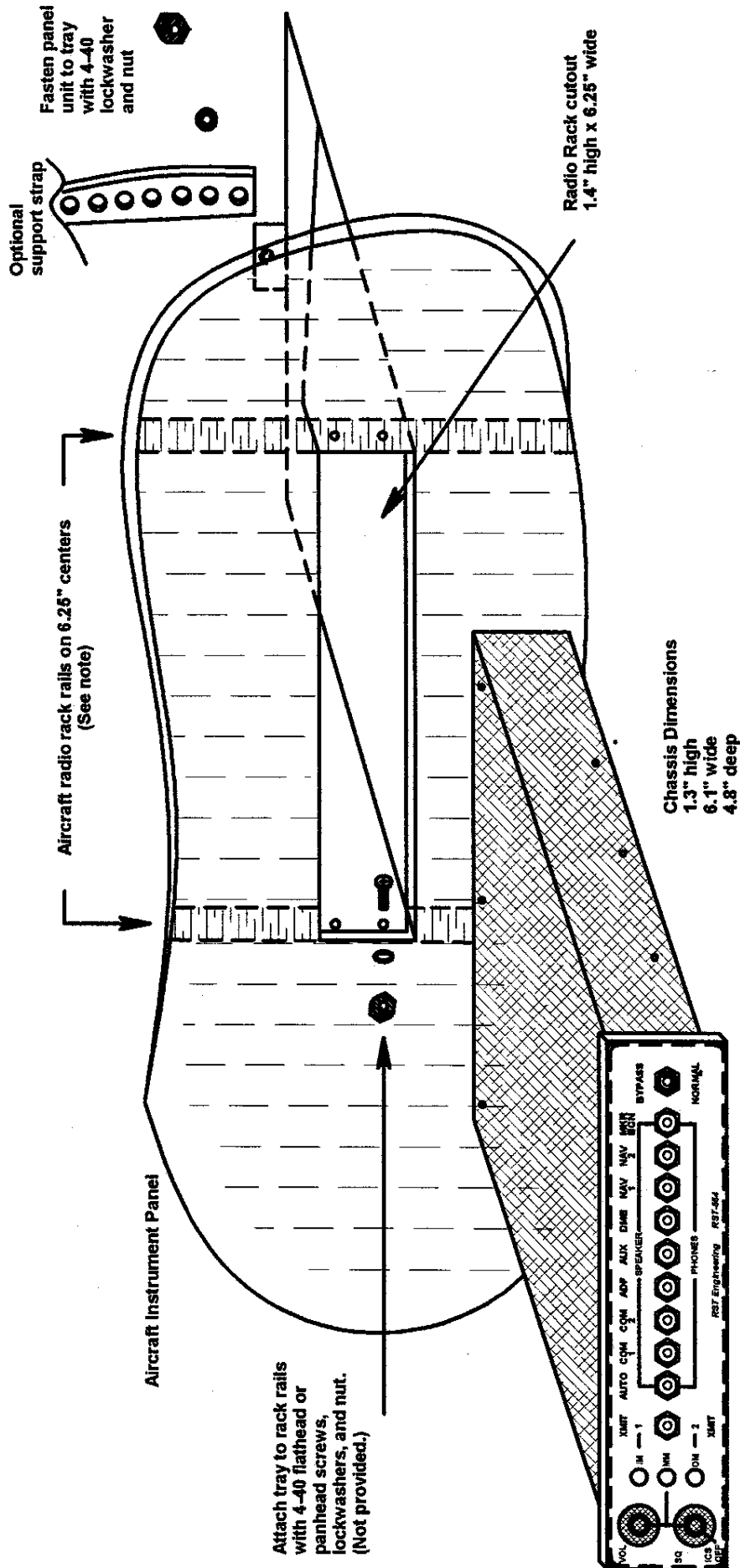


Scale: Schematic		Approved By:	
		Date: 08 Dec 98	
Drawn By: DMZ		Revision: A	
RST Engineering 13249 Grass Valley Ave. 816/272-2200 (voice & fax)		Drawing #	
		564-5813	

Speaker Amplifier



n. Mechanical Installation Drawing (564-3900)



**RST-564 Audio Selector Panel  
Mechanical Installation**

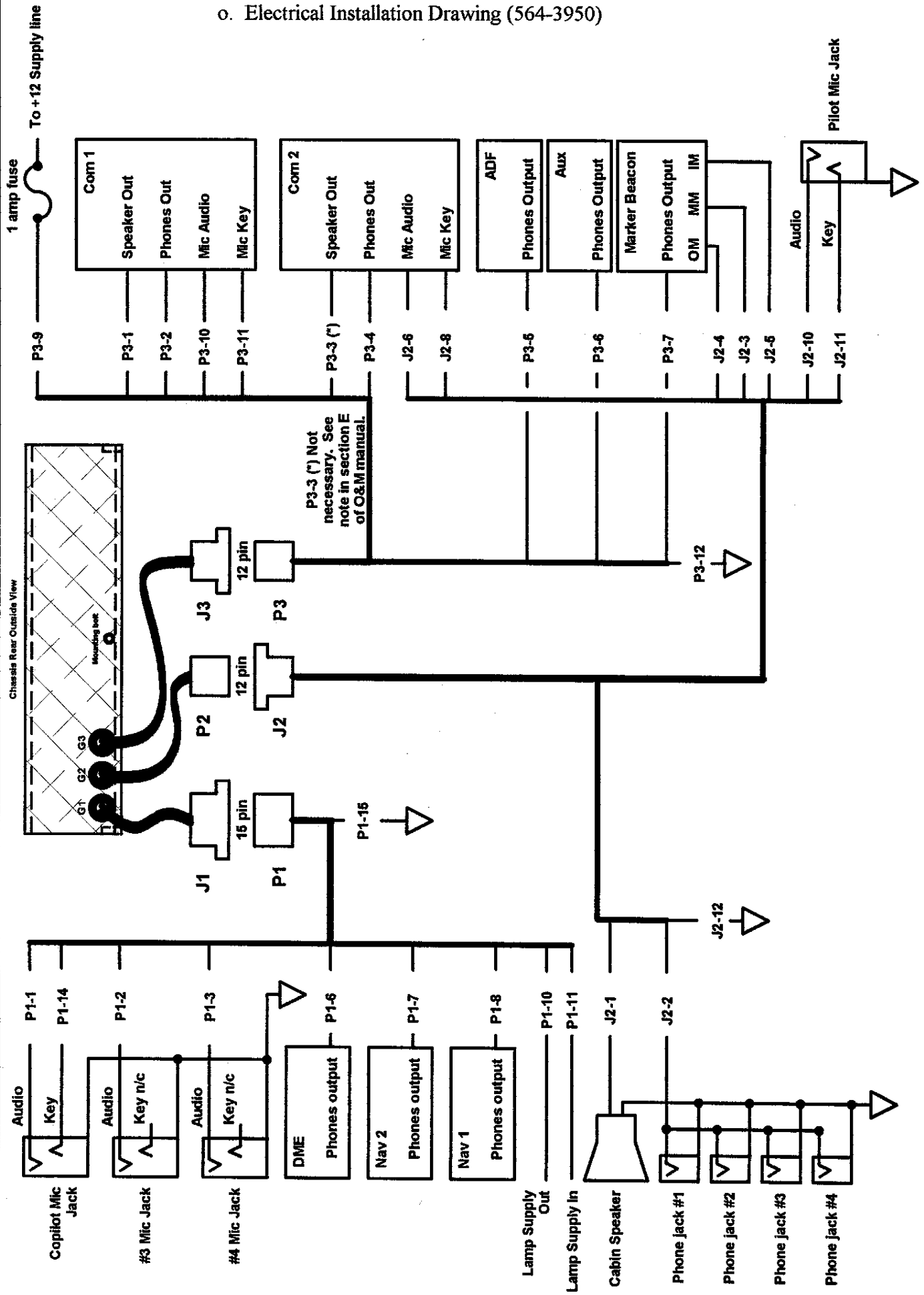
Scale: NTS	Approved by: <i>Jim Weir</i>	Drawn by: OWJ
Date: 11 Feb 97		Rev: A
<b>RST Engineering</b> 13249 Grass Valley Ave Grass Valley CA 95945 916/272-2203 (voice & fax) tech@rst-engr.com		Drawing # 564-3900

**Faceplate dimensions**  
1.5" high  
6.5" wide  
0.2" deep

**Chassis Dimensions**  
1.3" high  
6.1" wide  
4.8" deep

- Notes:**
1. If unit is not being installed in an aircraft with a radio rack or rails, fabricate L-brackets to hold tray directly to the instrument panel. Brackets not provided.
  2. Strap at rear of mounting tray optional.

o. Electrical Installation Drawing (564-3950)



Drawing #  
564-3950

**RST Engineering**  
13249 Grass Valley Ave Grass Valley CA  
95945

Approved by:  
*Jim Neels*

Drawn by: OWJ  
Rev: A

Scale: NTS  
Date: 11 Feb 97

**RST-564 Audio Selector Panel**  
Aircraft Interconnect Diagram J1-P1 J2-P2, J3-P3