

Reference Type

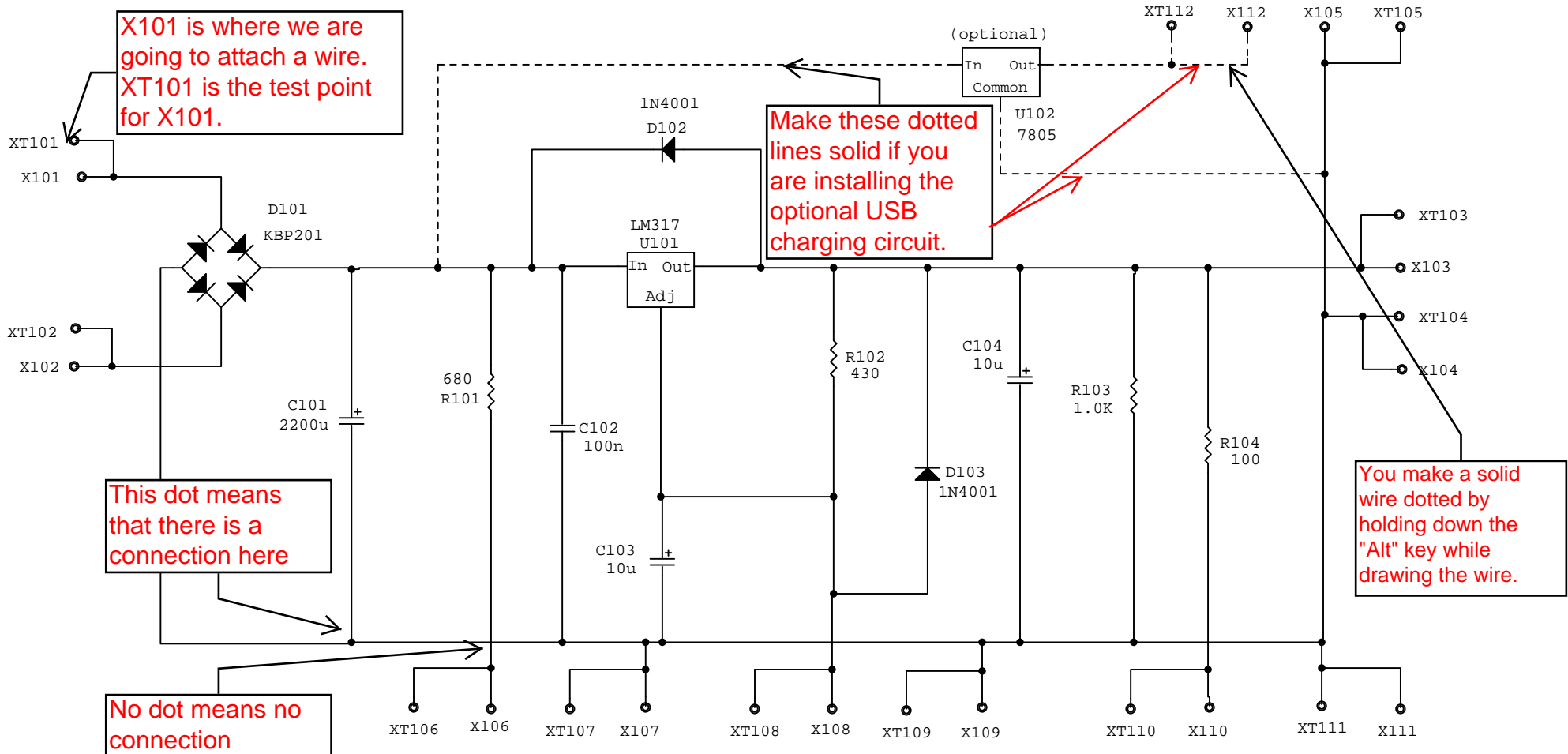
Major Class

Minor Class

Value

D101	Bridge Rectifier	Transistors & Diodes	Diode	fwbridge - KBP201
D102, 103	Rectifier	Transistors & Diodes	Diode	rectifir - 1N4001
C101	Cap Electrolytic	Capacitors	Polar	elecaxi - 2200u 50v
C102	Cap Disk Ceramic	Capacitors	Ceramic	Gpdisk - 100n
C103, 104	Cap Electrolytic	Capacitors	Polar	Elecrad - 10u
R101	Res Carbon Film	Resistors	Fixed Film	hwatt - 680 ohm
R103	Res Carbon Film	Resistors	Fixed Film	hwatt - 1.0K
R102	Res Carbon Film	Resistors	Fixed Film	qwatt - 430
R104	Res Carbon Film	Resistors	Fixed Film	qwatt - 100
U101	Integrated Circuit	Linear Active	Voltage Regulator	vregadj - LM317
U102 (optional)	Integrated Circuit	Linear Active	Voltage Regulator	78XXX - 7805
X101-X113	Wire Hole	Connectors	Active	In-Out
XT101-XT113	Test Wire Hole	Connectors	Active	In-Out-Test

Power Supply PC Board Schematic		
Rev	ID	
E	6622-5801	
Date:	31 Jan 2018	Page: 1 of 1



Reference Type Major Class Minor Class Value

D101	Bridge Rectifier	Transistors & Diodes	Diode	fwbridge - KBP201
D102, 103	Rectifier	Transistors & Diodes	Diode	rectifir - 1N4001
C101	Cap Electrolytic	Capacitors	Polar	elecaxi - 2200u 50v
C102	Cap Disk Ceramic	Capacitors	Ceramic	Gpdisk - 100n
C103, 104	Cap Electrolytic	Capacitors	Polar	Elecrad - 10u
R101	Res Carbon Film	Resistors	Fixed Film	hwatt - 680 ohm
R103	Res Carbon Film	Resistors	Fixed Film	hwatt - 1.0K
R102	Res Carbon Film	Resistors	Fixed Film	qwatt - 430
R104	Res Carbon Film	Resistors	Fixed Film	qwatt - 100
U101	Integrated Circuit	Linear Active	Voltage Regulator	vregadj - LM317
U102 (optional)	Integrated Circuit	Linear Active	Voltage Regulator	78XXX - 7805
X101-X113	Wire Hole	Connectors	Active	In-Out
XT101-XT113	Test Wire Hole	Connectors	Active	In-Out-Test

This is YOUR 4-digit identification number

5801 is the FIRST schematic on the pc board for this project

Power Supply PC Board Schematic	
Rev E	ID 6622-5801
Date: 31 Jan 2018	Page: 1 of 1