

Setup

General Layers Router Grid/Draw

Track

- Orthogonal
- Any Angle
- Curved

Default Width: 30

Vias

- Via Size: 44
- Hole Size: 28
- Auto Via Mode

External Plane

- Grid Size: 2
- Track Width: 10

Cursor Mode

- Absolute
- Relative

Floating Origin (x,y): 5410,39

Set Floating Origin

- Full Screen Cross Cursor

Drag Mode

- All Tracks
- Connected Tracks
- None
- Ask for Drag

Free Text

- Default Char Height: 50
- Default Line Width: 15

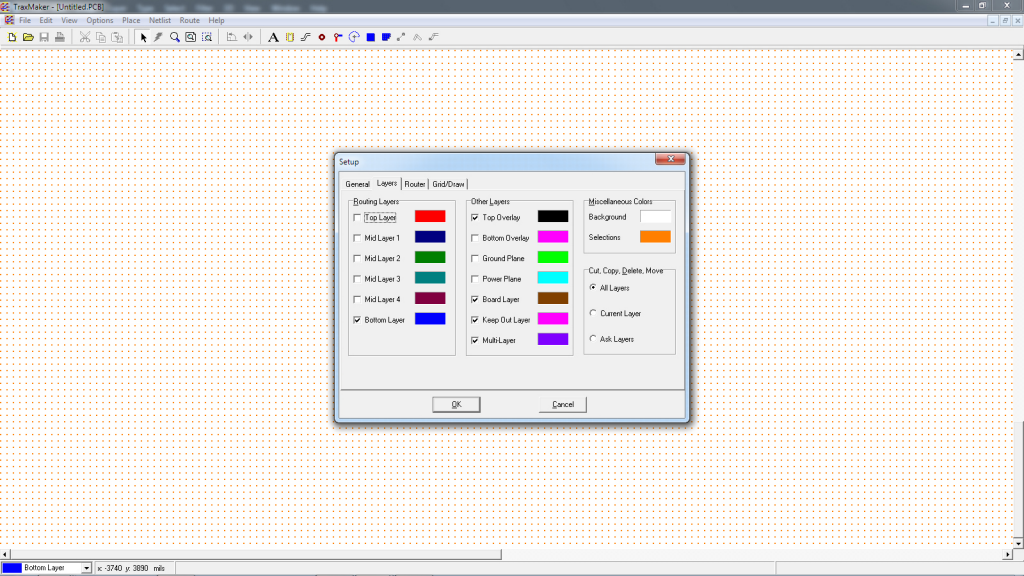
Label-Value Text

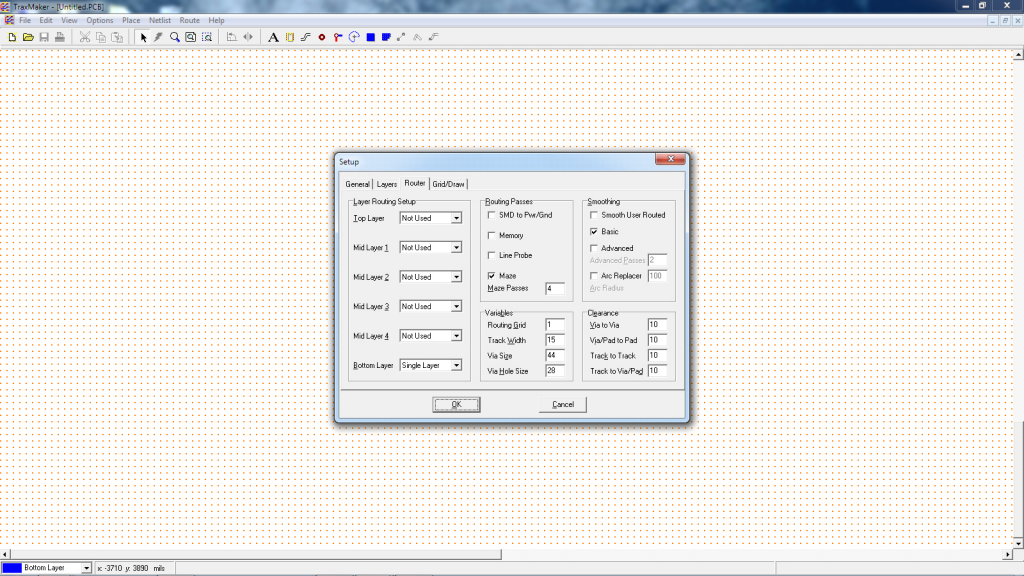
- Default Char Height: 50
- Default Line Width: 15

Designation Test

- Default Char Height: 50
- Default Line Width: 15
- Copy Uses Same Designators

OK Cancel





Setup

General | Layers | Router | Grid/Draw

Layer Routing Setup

Top Layer: Not Used

Mid Layer 1: Not Used

Mid Layer 2: Not Used

Mid Layer 3: Not Used

Mid Layer 4: Not Used

Bottom Layer: Single Layer

Routing Passes

SMD to Pwr/Gnd

Memory

Line Probe

Maze

Maze Passes: 4

Smoothing

Smooth User Routed

Basic

Advanced

Advanced Passes: 2

Arc Replacer

Arc Radius: 100

Variables

Routing Grid: 1

Track Width: 15

Via Size: 44

Via Hole Size: 28

Clearance

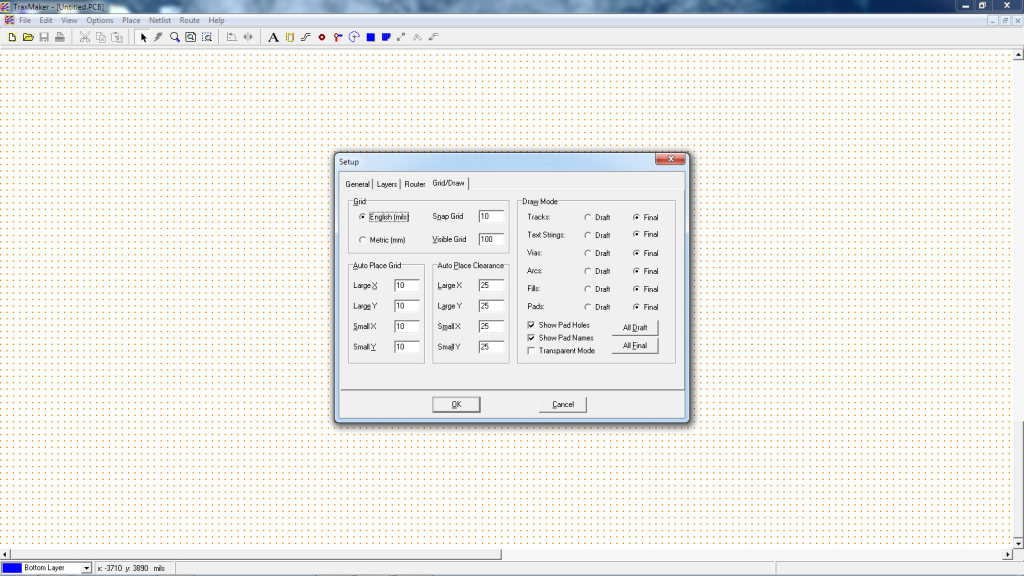
Via to Via: 10

Via/Pad to Pad: 10

Track to Track: 10

Track to Via/Pad: 10

OK Cancel



Setup

General | Layers | Router | Grid/Draw

Grid

English (mils) Snap Grid: 10

Metric (mm) Visible Grid: 100

Auto Place Grid

Large X: 10 Large Y: 10

Small X: 10 Small Y: 10

Auto Place Clearance

Large X: 25 Large Y: 25

Small X: 25 Small Y: 25

Drag Mode

Tracks: Draft Final

Text Strings: Draft Final

Vias: Draft Final

Arcs: Draft Final

Fills: Draft Final

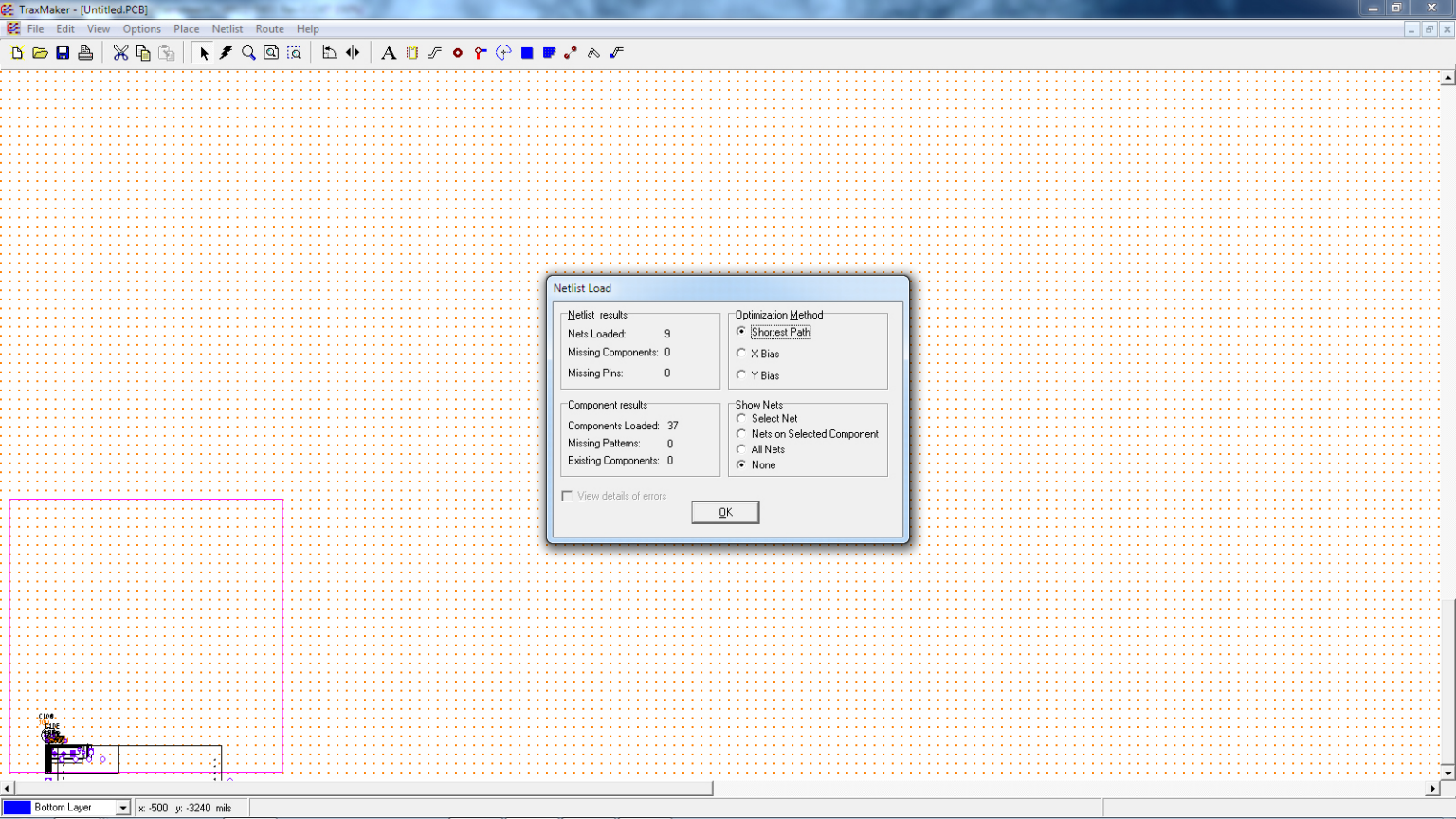
Pads: Draft Final

Show Pad Holes All Draft

Show Pad Names

Transparent Mode All Final

OK Cancel



Netlist Load

Netlist results:

Nets Loaded: 9

Missing Components: 0

Missing Pins: 0

Component results:

Components Loaded: 37

Missing Patterns: 0

Existing Components: 0

Optimization Method

Shortest Path

X Bias

Y Bias

Show Nets

Select Net

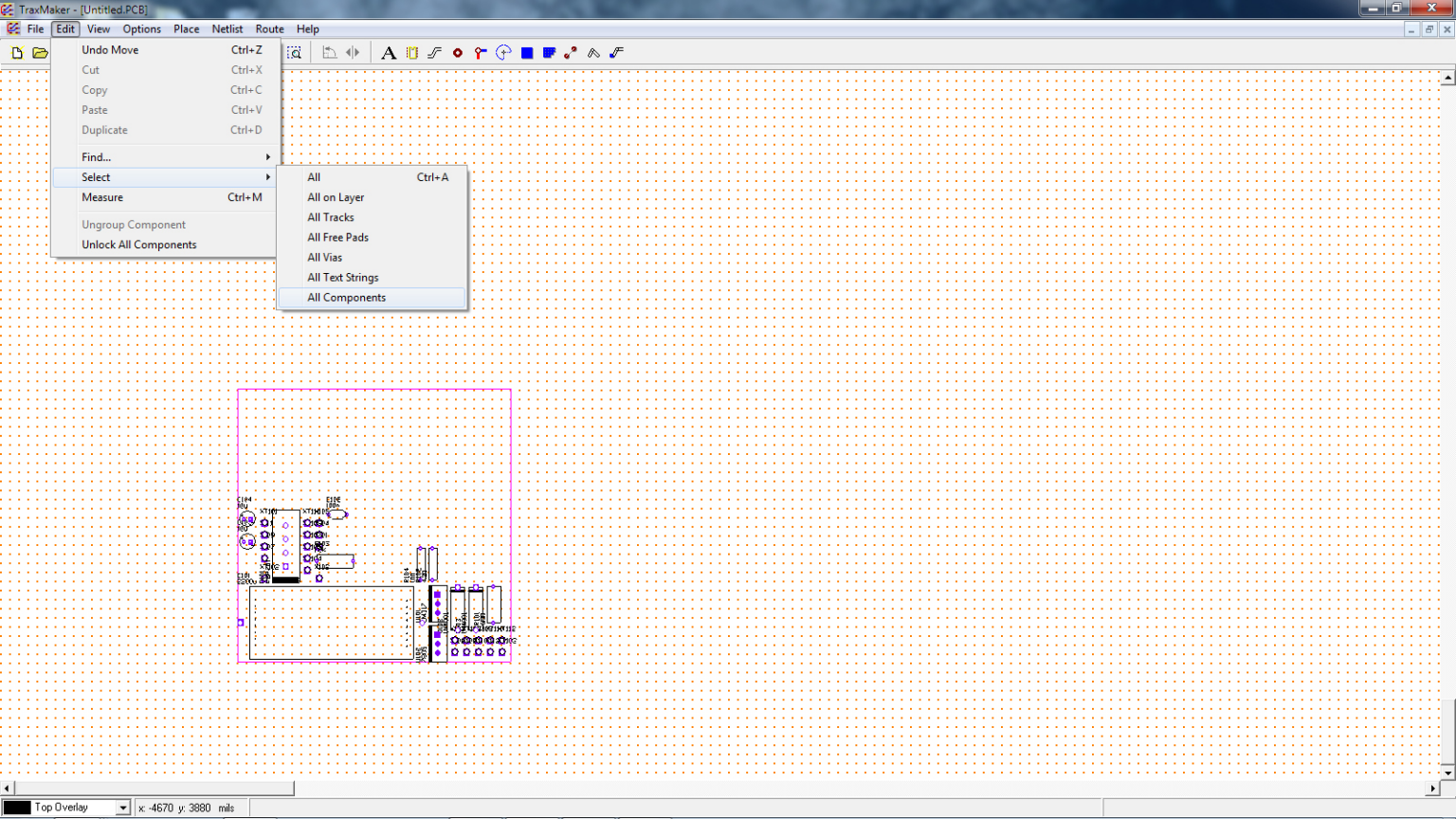
Nets on Selected Component

All Nets

None

View details of errors

OK



Setup

General | Layers | Router | Grid/Draw

Track

- Orthogonal
- Any Angle
- Curved

Default Width: 30

Vias

- Via Size: 44
- Hole Size: 28
- Auto Via Mode

External Plane

- Grid Size: 2
- Track Width: 10

Cursor Mode

- Absolute
- Relative

Floating Origin (x,y): 5410,39

Set Floating Origin

Full Screen Cross Cursor

Drag Mode

- All Tracks
- Connected Tracks
- None
- Ask for Drag

Free Text

- Default Char Height: 50
- Default Line Width: 15

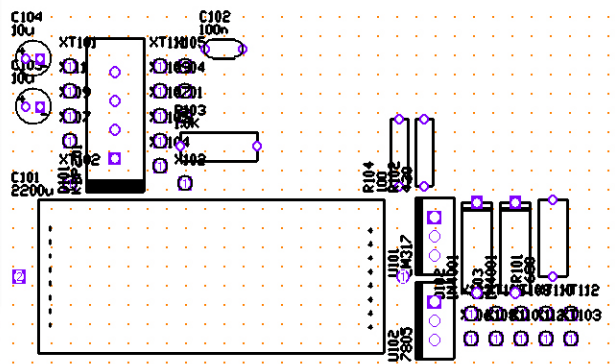
Label/Value Text

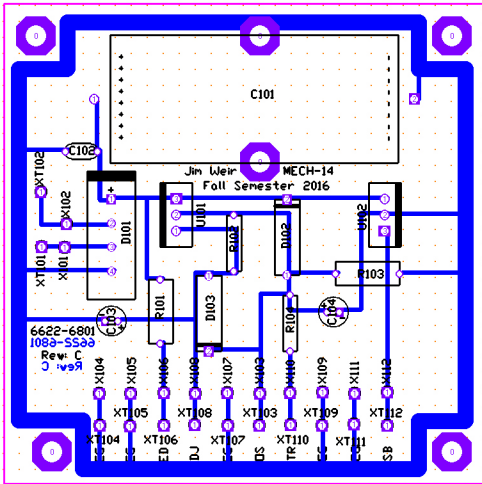
- Default Char Height: 50
- Default Line Width: 15

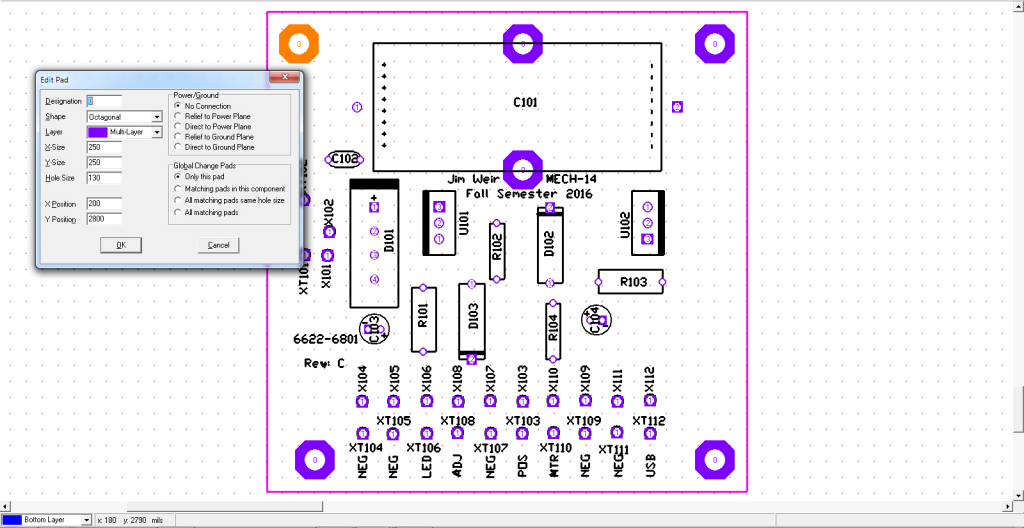
Designation Text

- Default Char Height: 50
- Default Line Width: 15
- Copy Uses Same Designators

OK Cancel







Edit Pad

Designation: []

Shape: Octagonal

Layer: Multi-Layer

X-Size: 250

Y-Size: 250

Hole Size: 130

X Position: 200

Y Position: 2800

Power/Ground:
 No Connection
 Relief to Power Plane
 Direct to Power Plane
 Relief to Ground Plane
 Direct to Ground Plane

Global Change Pads:
 Only this pad
 Matching pads in this component
 All matching pads same hole size
 All matching pads

OK Cancel

Edit Pad

Designation: 0

Shape: Octagonal

Layer: Multi-Layer

X-Size: 250

Y-Size: 250

Hole Size: 130

X Position: 300

Y Position: 200

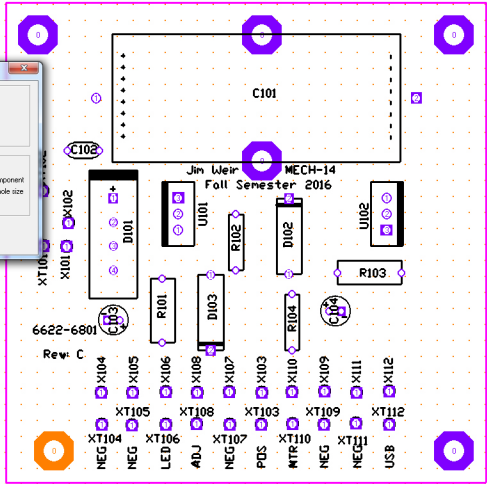
Power/Ground:

- No Connection
- Relief to Power Plane
- Direct to Power Plane
- Relief to Ground Plane
- Direct to Ground Plane

Global Change Pads:

- Only this pad
- Matching pads in this component
- All matching pads same hole size
- All matching pads

Buttons: OK, Cancel



File Edit View Options Place **Netlist** Route Help

- AutoPlacement
- Load Netlist
- Make Netlist
- Identify Net
- Clear Internal Netlist
- Pwr/Gnd Plane Nets...
- Show Nets
 - All Nets F2
 - Nets On Selected Pads
 - Nets On Selected Components
 - UnRouted Nets
 - Routed Nets
 - Select Net...
- Hide Nets
- Optimize Nets
- Design Rules Check...

